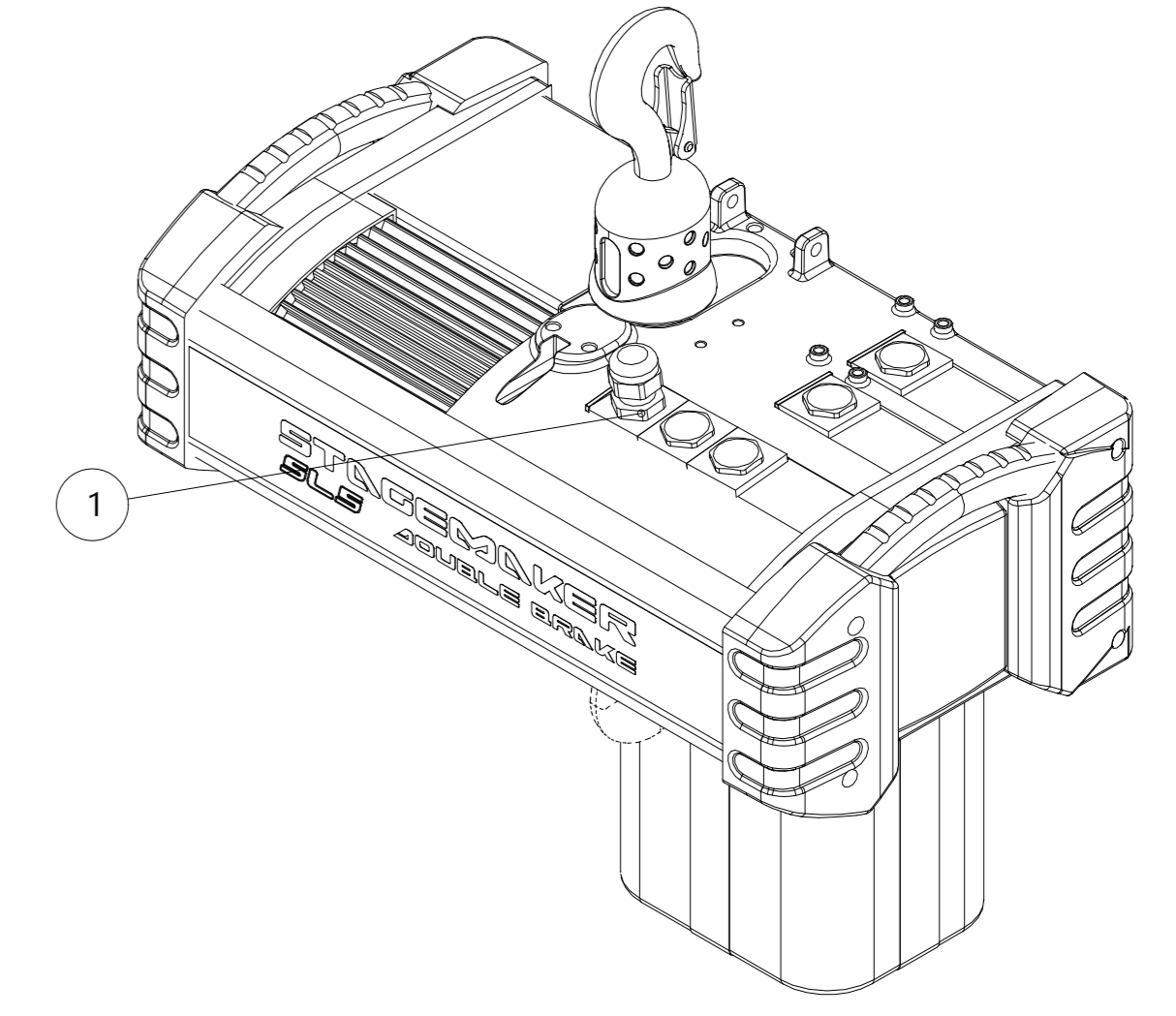
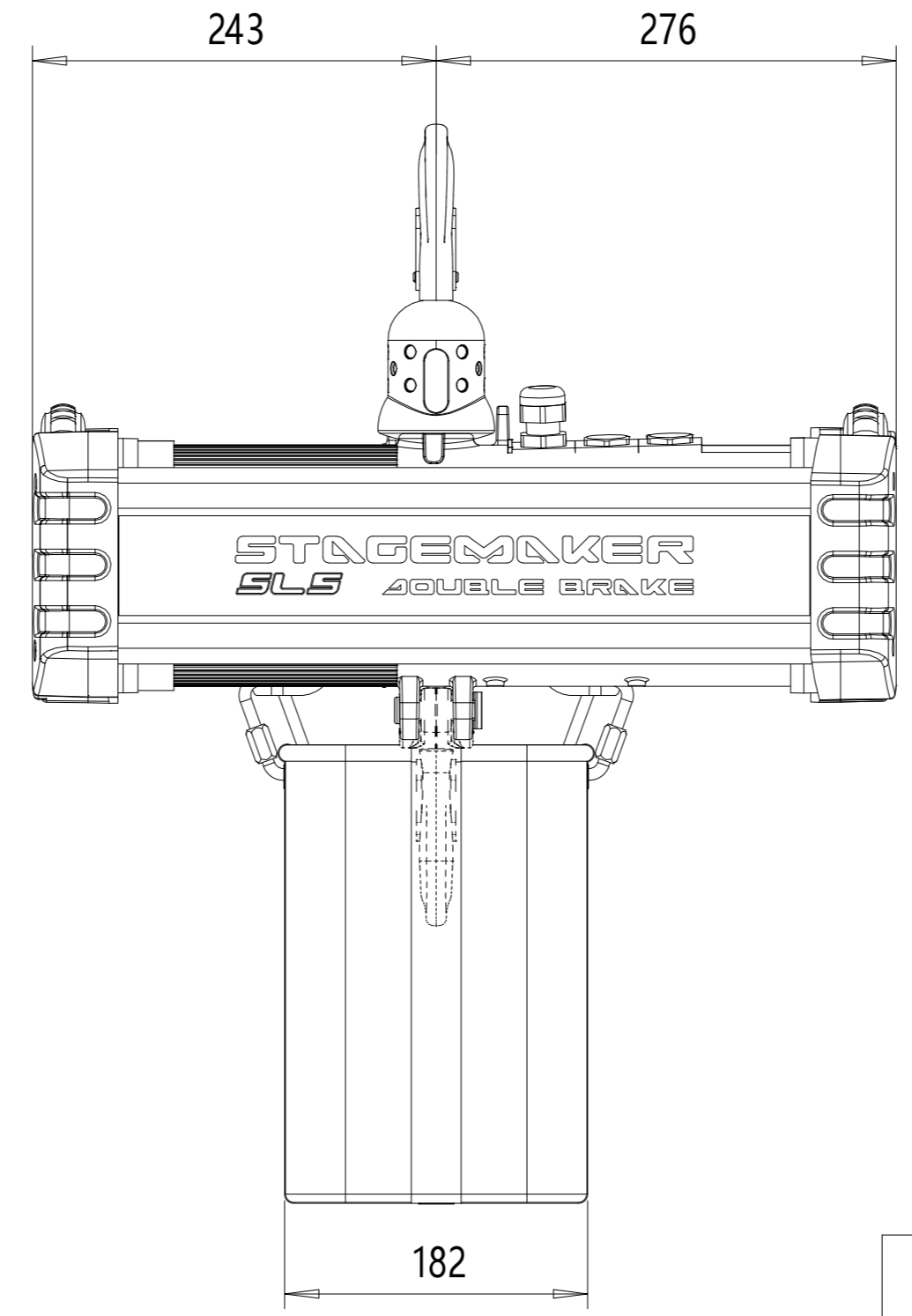
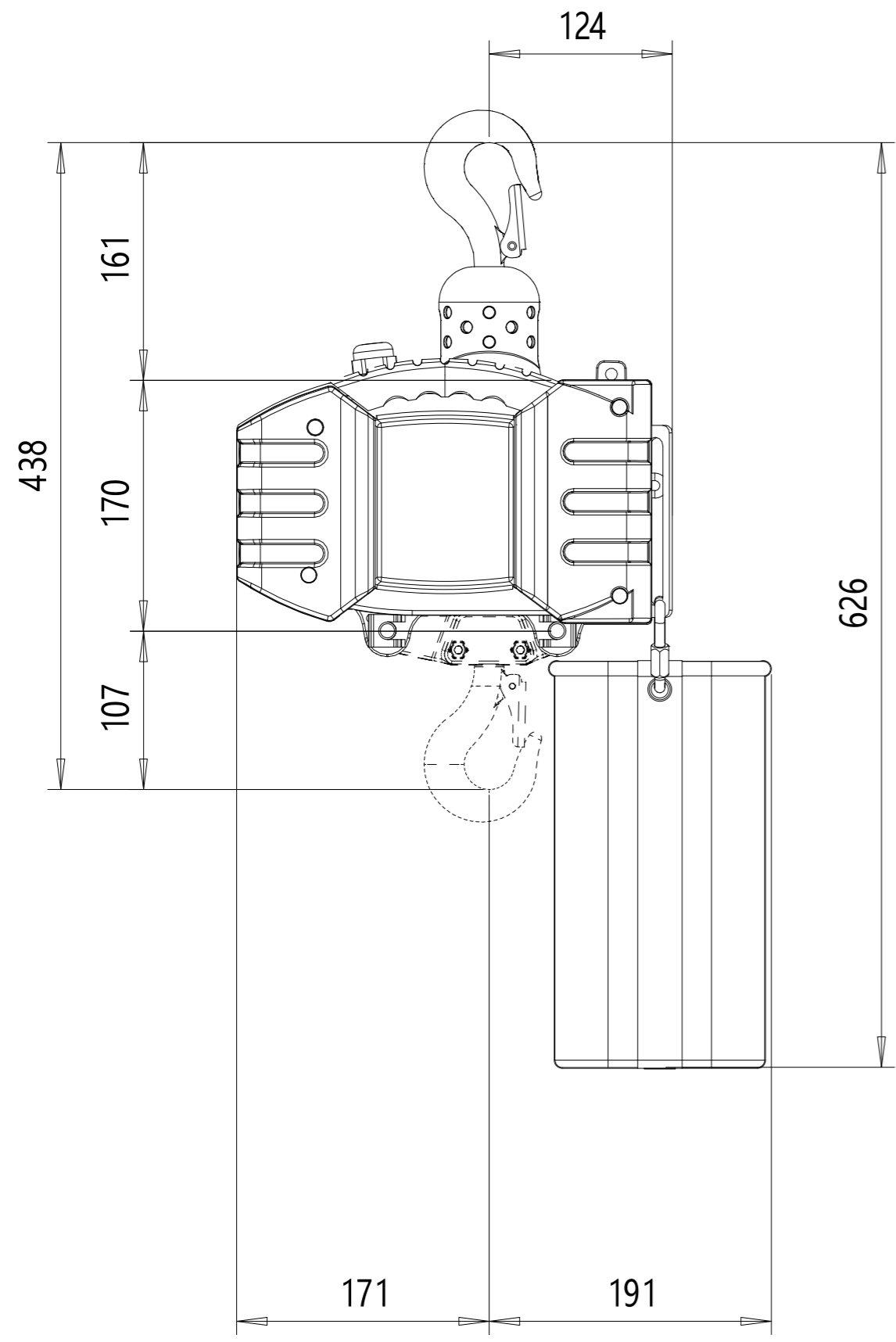


REV	CHANGE DESCRIPTION	ECN	DATE	REVISED BY	APPROVED BY
-----	--------------------	-----	------	------------	-------------



TECHNICAL DATA			
LOAD	:	500 kg	
LIFTING HEIGHT	:	20 m	
HOISTING SPEED	:	4 m/min	
WEIGHT OF HOIST	:	42 kg	
HOIST GROUP	:	M5	
MAIN / CONTROL VOLTAGE	:	400 V; 50 Hz	

Pos	Amount	Description	Specification
1	1	HOIST	SL5 504 m2 A D8+

Approved: _____
 Customer: _____
 Place: _____ Date: _____ Company (Company stamp): _____

2021.02.05 Date	
JJORDAN/United Kingdom Design	
X Chd	
Y Appd	
StageMaker	
JJORDAN-002531-1-SL5_504_m2_A_D8_-O-H	

This document is the absolute property of Verlinde. This document must not be copied, reproduced, distributed, or used for any unauthorized purpose. Contravention will be prosecuted.