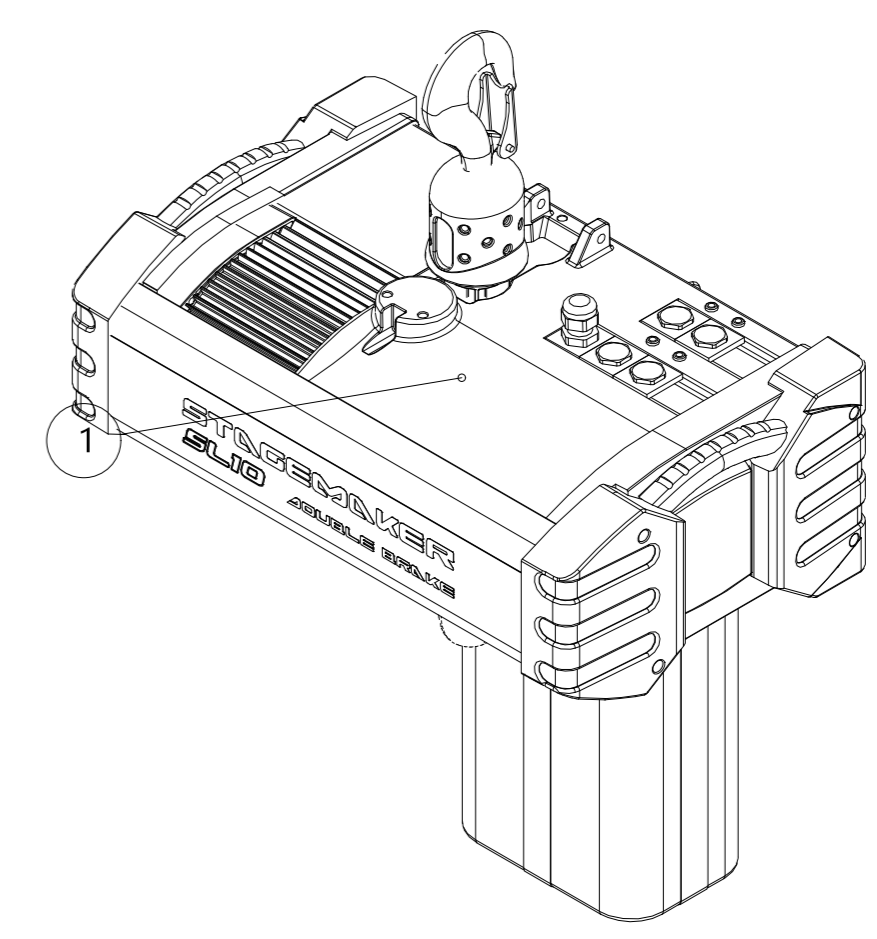
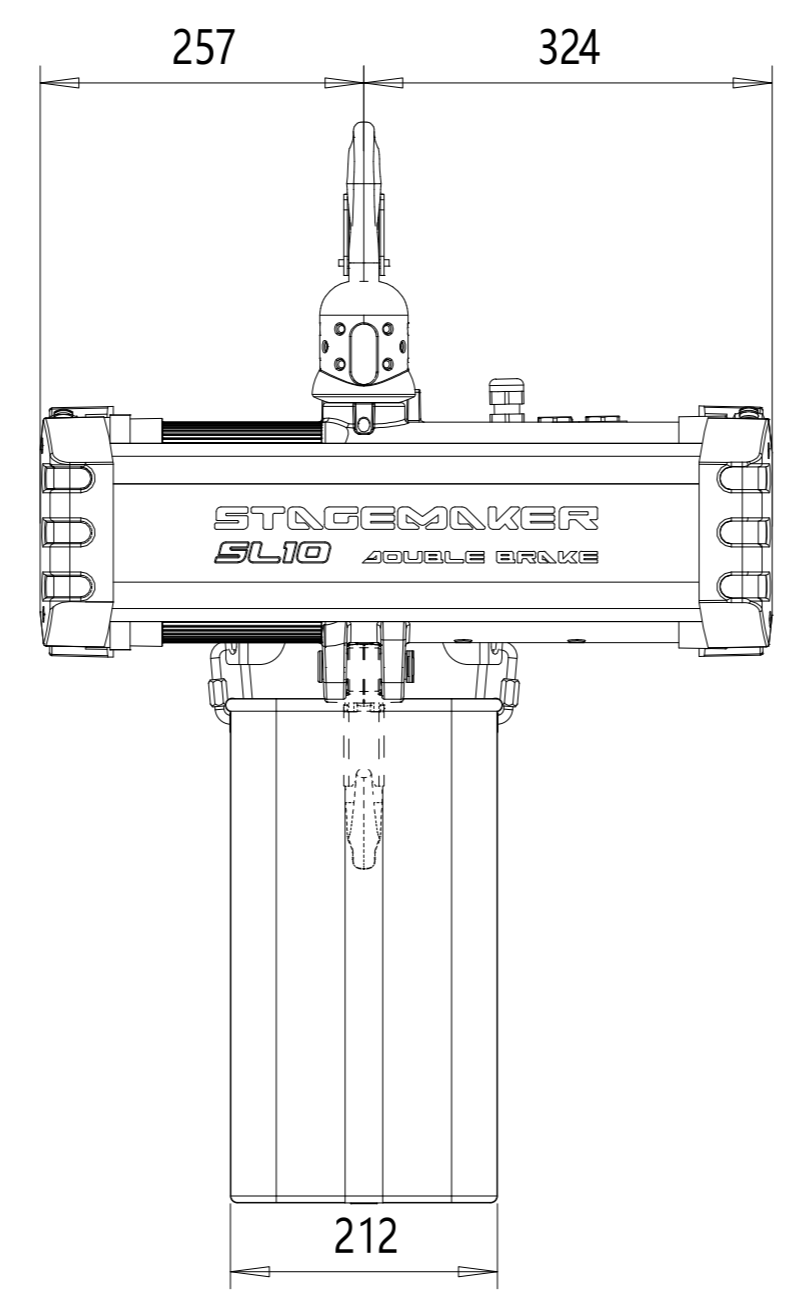
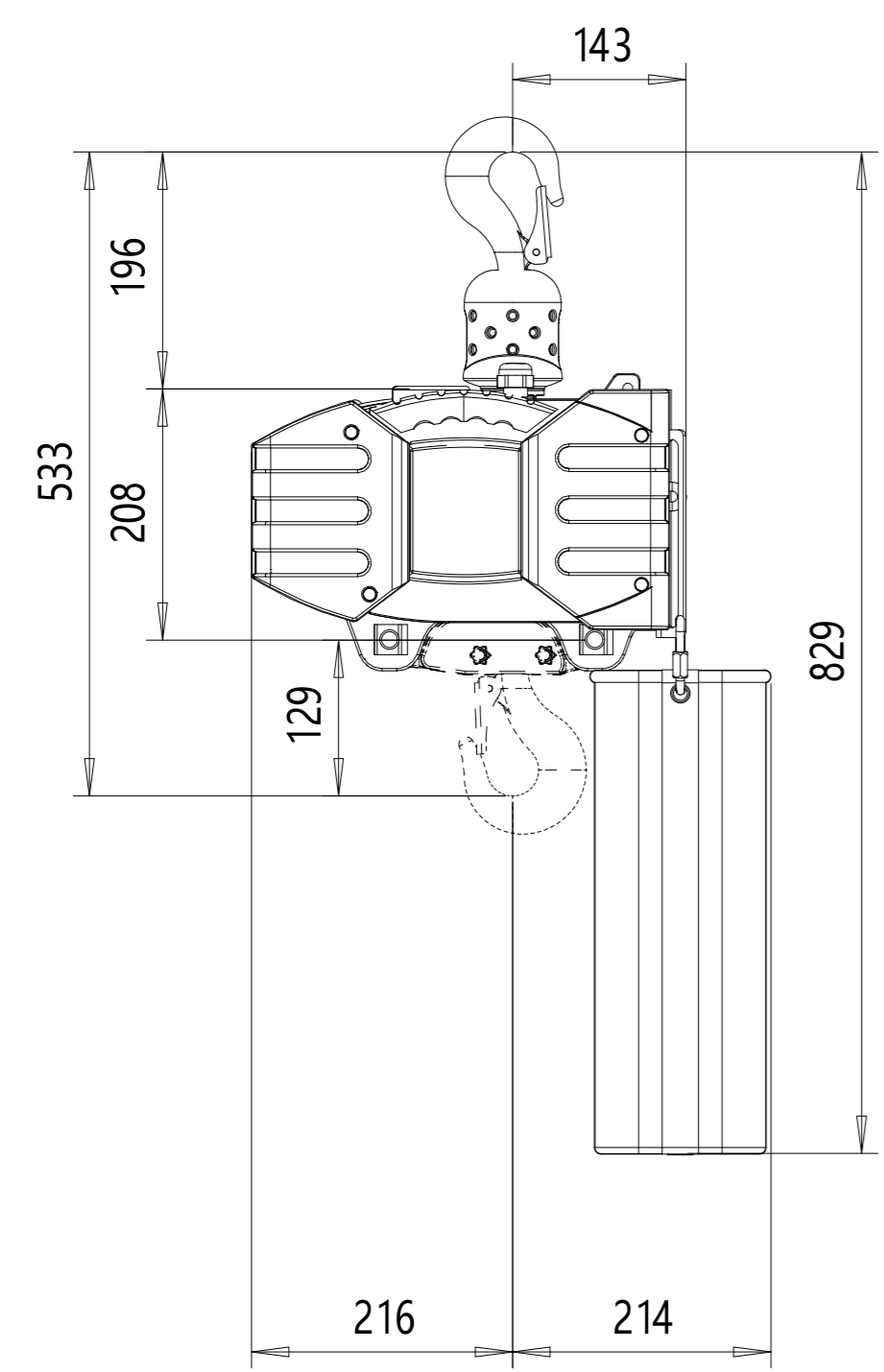


JJORDAN-002531-1-SL10_1004_m2_A

REV	CHANGE DESCRIPTION	ECN	DATE	REVISED BY	APPROVED BY
-----	--------------------	-----	------	------------	-------------

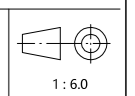


TECHNICAL DATA			
LOAD	:	1000 kg	
LIFTING HEIGHT	:	20 m	
HOISTING SPEED	:	4 m/min	
WEIGHT OF HOIST	:	70 kg	
HOIST GROUP	:	M5	
MAIN / CONTROL VOLTAGE	:	400 V; 50 Hz	

Pos	Amount	Description	Specification
1	1	HOIST	SL10 1004 m2 A D8+

Approved: _____
 Customer: _____
 Place: _____ Date: _____ Company (Company stamp): _____

2021.02.05 Date	
JJORDAN/United Kingdom Design	
X Chd	StageMaker
Y Appd	JJORDAN-002531-1-SL10_1004_m2_A_D8_-O-H



This document is the absolute property of Verlinde. It is not to be copied, reproduced, or disseminated without the written consent of Verlinde. The contents hereof may not be disclosed to a third party nor be used for any unauthorized purpose. Contravention will be prosecuted.