

Swivel davit crane SST

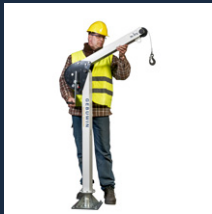
125 – 500 kg

Description of the winch

The lifting davit stainless steel 316 is a very user-friendly standing crane. Lightweight and portable. Within 3 seconds this winch is ready for use. Because of the use of 316 stainless steel, the crane is highly corrosive.

Product specifications

- > robust and safe lifting davit crane in compliance with EN13157
- > ready to use in 5 seconds
- > integrated winch and cable in an ergonomic modern design
- > easy to transport
- > load pressure brake with double ratchet system for safe stable hold of the load in any position
- > possible to rotate 360° due to the use of ball bearings
- > adjustable crank, with ergonomic grip
- > maintenance free
- > including 8 meter stainless steel wire rope (d5 mm) with hook
- > full stainless steel grade 316 body
- > corrosion resistant

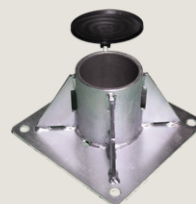


Options (code)

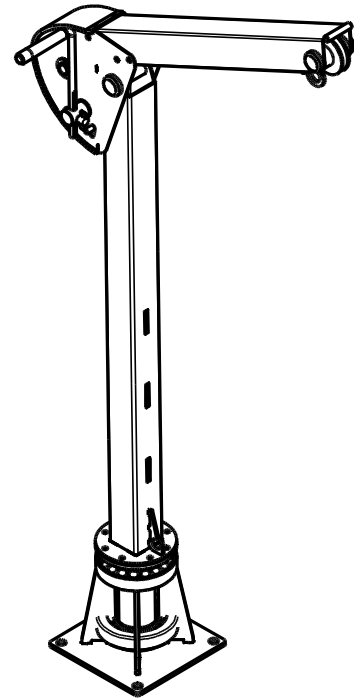
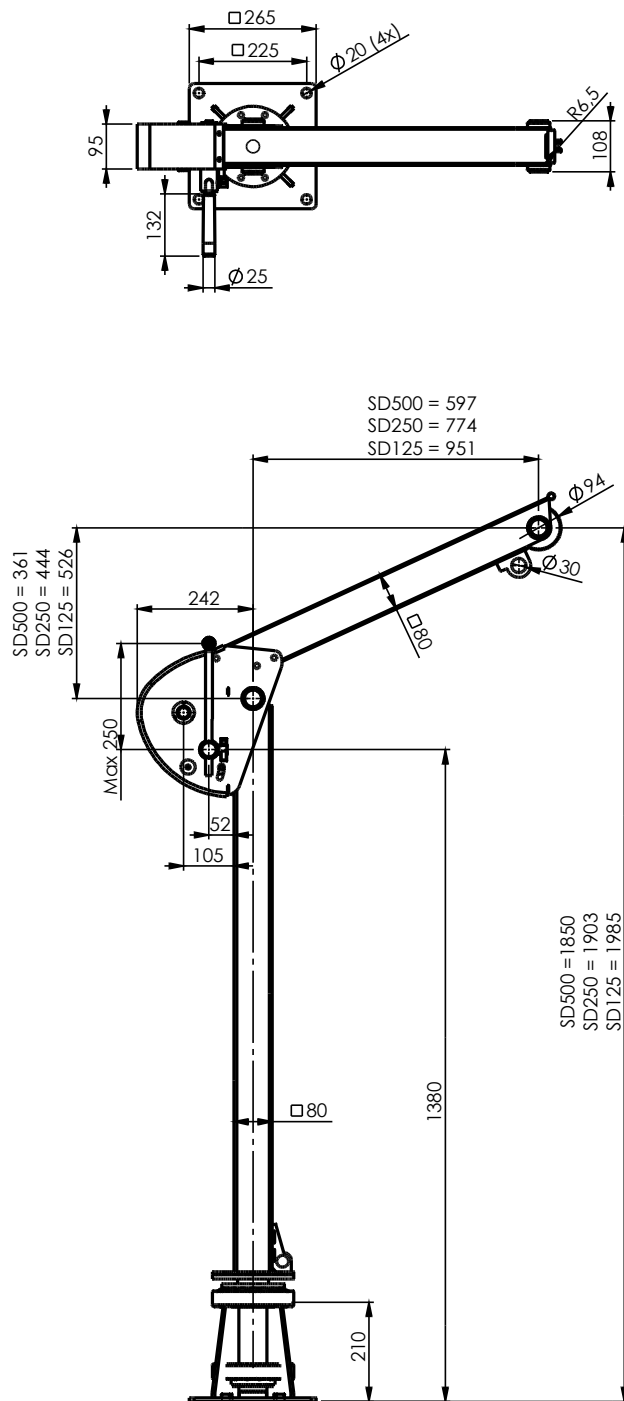
- ATEX certified zone 2 and 22 (EX)
 - CE II 3G Ex IIC T4 Gc, -20°C<T amb <+70°C
 - CE II 3D Ex IIIC T135°C Dc, -20°C<T amb <+70°C
- custom options possible - [on request](#)

Accessoires

- floor, wall and in-concrete sockets
- carry bag and protection cover



Technical specifications SD125-500



Technical specifications	Unit	SD125	SD250	SD500
Capacity 1st layer	kg	125	250	500
Capacity top layer	kg	125	250	268
Rope diameter-Ø	mm	4	4	5
Rope storage top layer	m	18	18	13
Lift per crank rotation	mm	20	20	20
Crank effort at full load	daN	10	10	10
Weight Swivel Davit	kg	30	30	30
Weight floor-socket	kg	8,9	8,9	8,9
Article number	no.	77001940	77001930	77001920