

PRD-PRV



Trolleys for making articulated rolling beams, hand or electric-powered, for loads of 250 to 2,000 kg

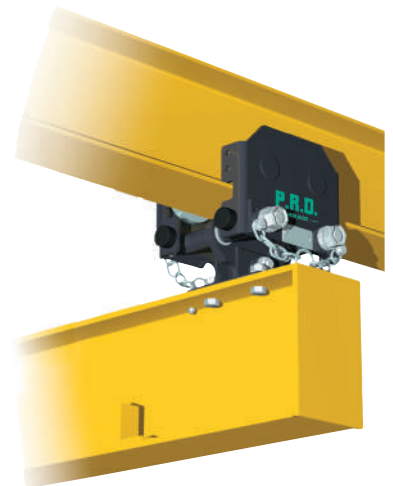
 **VERLINDE**[®]
LIFTING EQUIPMENT

PRD

Trolleys for making hand-powered articulated rolling beams for loads of 250 to 2,000 kg



Option :
VHR hand chain block and
CHD travelling trolley.



As optional extra : 2 safety chains

The purpose of this system is to restore the link between the trolleys and beam in the event of failure of the coupling linking the trolleys to the beam.

Span and load capacities

| | 1m | 2m | 3m | 4m | 5m | 6m | 7m | 8m | 9m | 10m | 11m | 12m |
|------------|------|------|------|------|------|------|------|------|------|------|------|------|
| > 250 kg | PRD1 | PRD1 | PRD1 | PRD1 | PRD1 | PRD1 | PRD1 | PRD1 | PRD1 | PRD1 | PRD1 | PRD1 |
| > 500 kg | PRD1 | PRD1 | PRD1 | PRD1 | PRD1 | PRD1 | PRD1 | PRD1 | PRD1 | PRD1 | PRD2 | PRD2 |
| > 1 000 kg | PRD1 | PRD1 | PRD1 | PRD1 | PRD1 | PRD1 | PRD1 | PRD1 | PRD1 | PRD1 | PRD2 | PRD3 |
| > 1 600 kg | PRD1 | PRD1 | PRD1 | PRD1 | PRD1 | PRD1 | PRD1 | PRD2 | PRD2 | PRD2 | PRD2 | PRD2 |
| > 2 000 kg | PRD1 | PRD1 | PRD1 | PRD1 | PRD1 | PRD1 | PRD1 | PRD2 | PRD2 | PRD2 | PRD2 | PRD2 |

PRD1 PRD2 PRD3

Technical characteristics

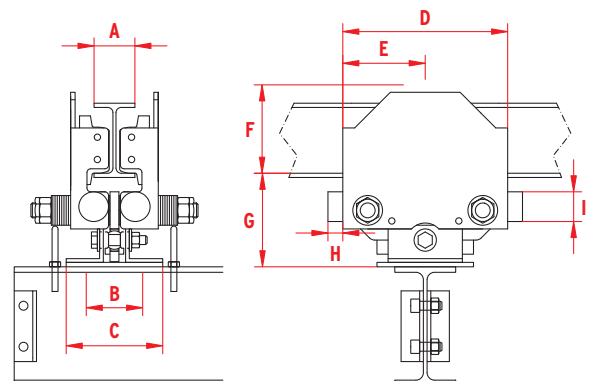
The ideal partner for this articulated rolling beam is a handpowered chain hoist. The PRD trolley kit consists of :

- > A pair of trolleys each fitted with four steel rollers (mounted on ball bearings).
- > 4 anti-drop rollers (in compliance with legislation).
- > A coupling consisting of a strap piece in die-stamped steel and 2 articulations, one of which is mounted on a ball and socket joint.
- > The assembly boltwork.
- > Assembly documentation.

Overall dimensions

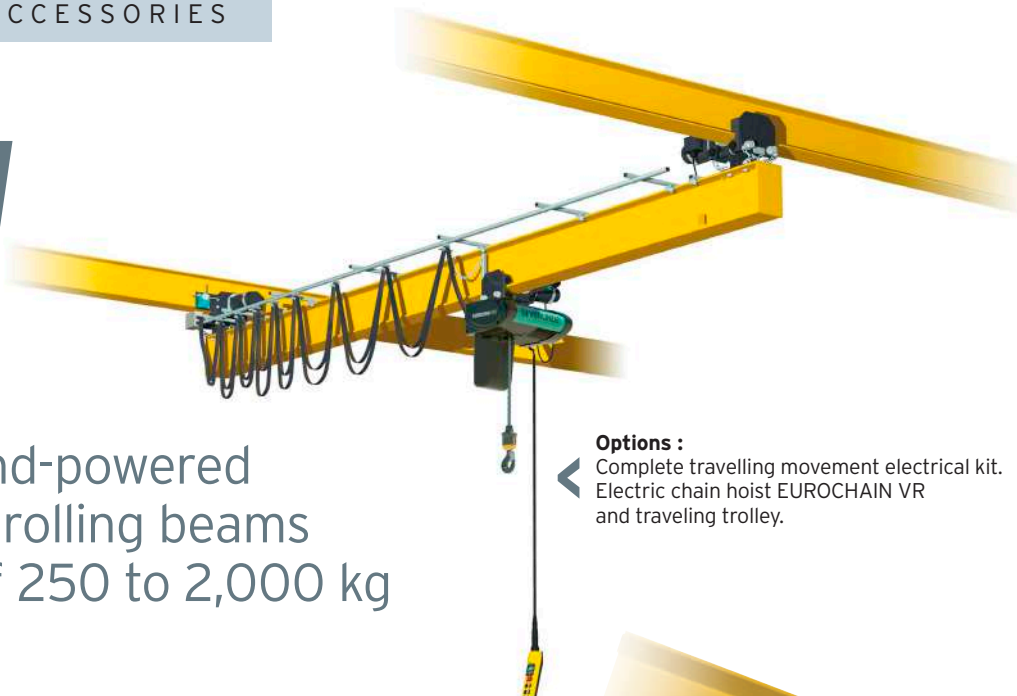
| Type | A | B | C | D | E | F | G | H | I |
|------|--------|-----|-----|-----|-----|-----|-----|----|----|
| PRD1 | 55-310 | 76 | 130 | 222 | 111 | 119 | 126 | 20 | 40 |
| PRD2 | 64-310 | 112 | 170 | 280 | 140 | 118 | 179 | 20 | 40 |
| PRD3 | 82-310 | 112 | 170 | 342 | 171 | 128 | 179 | 20 | 40 |

Dimensions in mm



PRV

Trolleys for making hand-powered articulated rolling beams for loads of 250 to 2,000 kg



Options :
 Complete travelling movement electrical kit.
 Electric chain hoist EUROCHAIN VR and traveling trolley.

Span and load capacities

| | 1m | 2m | 3m | 4m | 5m | 6m | 7m | 8m | 9m | 10m | 11m | 12m |
|------------|------|------|------|------|------|------|------|------|------|------|------|------|
| > 250 kg | PRV1 | PRV1 | PRV1 | PRV1 | PRV1 | PRV1 | PRV1 | PRV1 | PRV1 | PRV1 | PRV1 | PRV1 |
| > 500 kg | PRV1 | PRV1 | PRV1 | PRV1 | PRV1 | PRV1 | PRV1 | PRV1 | PRV1 | PRV1 | PRV1 | PRV1 |
| > 1 000 kg | PRV1 | PRV1 | PRV1 | PRV1 | PRV1 | PRV1 | PRV1 | PRV1 | PRV1 | PRV1 | PRV1 | PRV3 |
| > 1 600 kg | PRV1 | PRV1 | PRV1 | PRV1 | PRV1 | PRV1 | PRV1 | PRV1 | PRV1 | PRV1 | PRV1 | PRV3 |
| > 2 000 kg | PRV1 | PRV1 | PRV1 | PRV1 | PRV1 | PRV1 | PRV1 | PRV1 | PRV1 | PRV1 | PRV1 | PRV3 |

PRV1 PRV2 PRV3



Technical characteristics

The ideal equipment for this articulated travelling beam is an electrically-powered chain hoist. The PRV trolley consists of the following :

- > The electrical equipment for a 380V to 460V/3ph/50Hz power supply.
- > A pair of electric trolleys capable of running at variable speed (5 to 20 m/mn), single speed (5 or 10 m/min) or two speeds (10/2.5 or 20/5 m/min), each equipped with 4 cast iron rollers (2 driving and 2 support rollers), mounted on ball bearings and adjustable, with gears cut and rims machined to run on all types of raceway.
- > Four anti-drop rollers (in compliance with legislation).
- > A coupling consisting of a strap piece in die-stamped steel and two articulations, one of which is mounted on a ball-and-socket joint.
- > Two safety chains.
- > The assembly bolts and fasteners.
- > Documentation for assembly and installation.

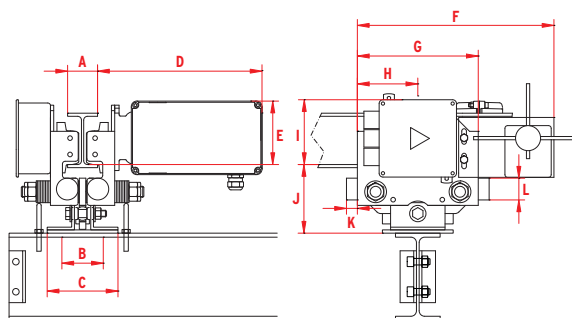
Overall dimensions

| Type | A | B | C | D | E | F | G | H | I | J | K | L |
|------|--------|-----|-----|-----|-----|-----|-----|-----|-----|-----|----|----|
| PRV1 | 55-310 | 76 | 130 | 302 | 116 | 361 | 222 | 111 | 119 | 126 | 20 | 40 |
| PRV2 | 64-310 | 112 | 170 | 340 | 126 | 420 | 280 | 140 | 118 | 179 | 20 | 40 |
| PRV3 | 82-310 | 112 | 170 | 340 | 136 | 482 | 342 | 171 | 128 | 179 | 20 | 40 |

Dimensions in mm

Options

- > VHR hand chain block or EUROCHAIN VR electric chain hoist.
- > Travelling movement box.
- > Complete travelling movement electrical kit.
- > Travel limit switch.
- > Slow variable speed (3 to 10 m/min.).
- > Other voltages (230 to 575 V).
- > **Complete travelling movement electrical kit.**
 Execution is possible only in the case of a complete electric hoist control system (very low voltage version) and PRV type electric-powered trolley. This kit contains : a set of pre-wired supply and control lines (accessories and boltwork), the line securing fasteners, control by a hung pendant push button box, an electrical cabinet.



VERLINDE is:

- The leading French manufacturer and exporter of lifting and handling equipment.
- A comprehensive range of 30 groups of lifting equipment from 60 to 250,000 kg.
- ISO 9001 Quality control certified and ISO 14001 Environmental Management Systems.

In France:

A sales network and after sales service points, EUROPONT travelling crane construction plants and a distributor network.

Abroad:

A customer service in more than 92 countries.

References

Metallurgy, Mechanics, Nuclear
ArcelorMittal, Unimetal, Stein, NFM,
Framatome, Alstom

Chemicals, Petrochemicals industry
Sanofi Aventis, Total,
Du Pont De Nemours

Aeronautical industry
Aérospatiale, Airbus,
Snecma, Eurocopter,
Air France, Aéroport de Paris,
Dassault Aviation



Agri-food industry
Nestlé, Danone, Bel, Palamatic,
Tetrapak, Lactalis

Automobile industry
Renault, Peugeot, Citroën, Scania,
Ford, RVI, Volkswagen, Michelin,
Massey Ferguson, Manitou,
Toyota Industrial Equipment

Other sectors
EDF, SNCF, RATP, Spie, Degremont,
Eiffage, Polysius, Baudin Chateauf

 **VERLINDE**[®]
LIFTING EQUIPMENT

NEXT LEVEL
PARTNERSHIP

2, boulevard de l'Industrie | B.P. 20059 | 28509 Vernouillet cedex | France
Phone : (33) 02 37 38 95 95 | Fax : (33) 02 37 38 95 99 | Internet : www.verlinde.com

