

The solution
for low costs

P.R.D.

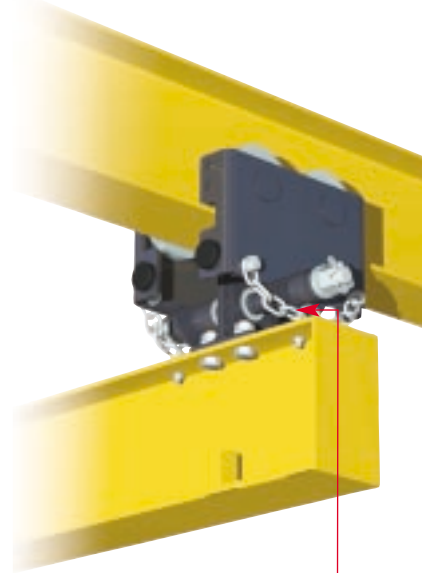
Trolleys for making hand-powered articulated rolling beams for loads of 500 to 2500 kg.

TECHNICAL CHARACTERISTICS

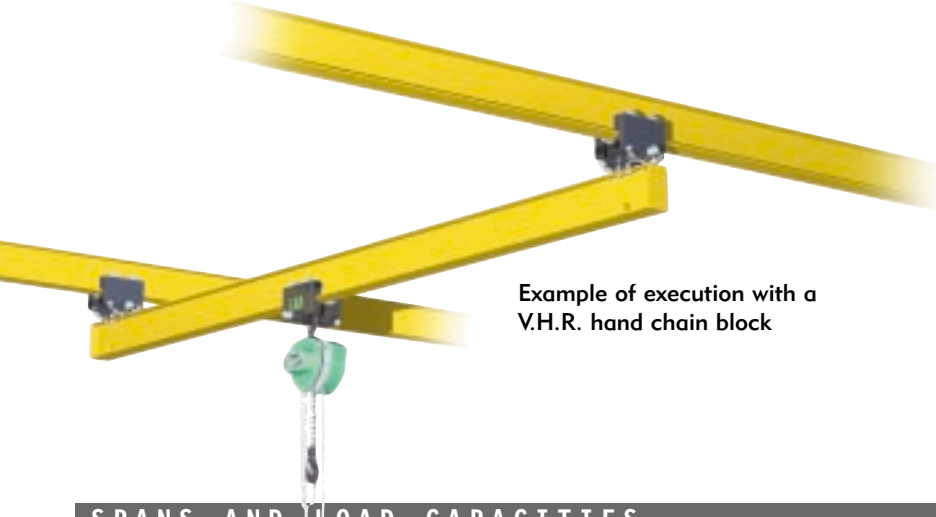
The ideal partner for this articulated rolling beam is a hand-powered chain hoist.

The PRD trolley kit consists of:

- A pair of trolleys each fitted with four steel rollers (mounted on ball bearings)
- The adjustment of the roller raceway profile consists of a treated steel tie-bar
- 4 anti-drop rollers (in compliance with legislation)
- A coupling consisting of a strap piece in die-stamped steel and 2 articulations, one of which is mounted on a ball and socket joint
- The assembly boltwork.
- Assembly documentation.



As optional extra: 2 safety chains. The purpose of this system is to restore the link between the trolleys and beam in the event of failure of the coupling linking the trolleys to the beam.



Example of execution with a V.H.R. hand chain block

SPANS AND LOAD CAPACITIES

	1 m	2 m	3 m	4 m	5 m	6 m	7 m	8 m
500 kg								
1000 kg								
1600 kg								
2000 kg								
2500 kg								

Trolley PRD 5 ■ Trolley PRD 10 ■ Trolley PRD 20 ■ Trolley PRD 32 ■

OPTIONS

- Hand chain block or electric hoist
- Travelling trolley

OVERALL DIMENSIONS

Type of beam trolley	A	B	C	ØD	E	G	L	ØN	ØN1	R*	S*
PRD 5	65	42 à 64	19	HM 10-30 class 8-8	145	84	202	55	79	109	106
PRD 10	65	40 à 78	23,5	HM 12-35 class 8-8	167	101	241	60	92	66	57
PRD 20	65	48 à 78	27	HM 14-40 class 8-8	185	116	288	76	104	88	82
PRD 32	65	48 à 94	32	HM 16-45 class 8-8	232	144	358	96	131	68	61

* The clearances are indicated based on the minimum profile served by each trolley.

