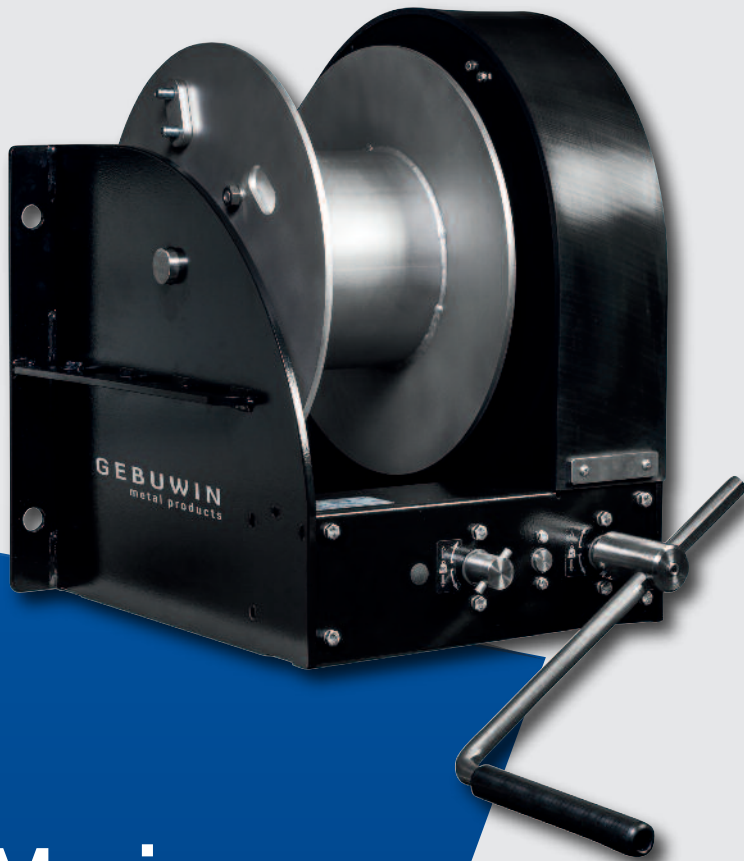
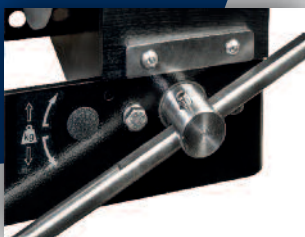


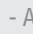
WW1500-3000-5000 D/MR



Marine worm gear winch



Hand operated worm gear winch:

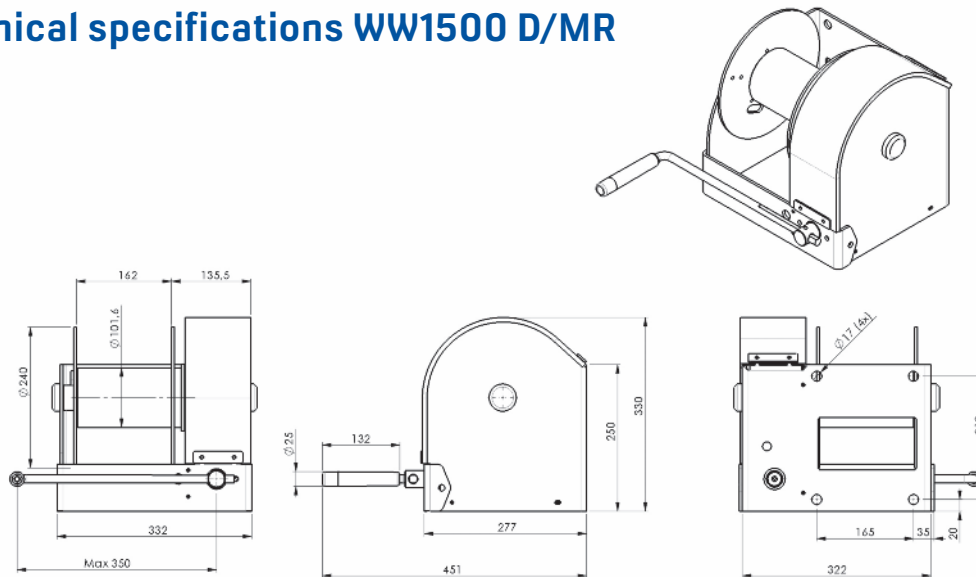
- robust and safe hoisting winch with two speeds for WW3000-5000
- in compliance with EN13157, DIN 15020 and EX types ATEX 114 (94/9/EG)
- static safety factor 4
- square worm-wormwheel transmission and maintenance free bearings
- cable outlet upwards, downwards or at rear
- adjustable crank, with ergonomic grip
- easy to grease worm-wormwheel transmission
- load pressure brake with silent double ratchet system
- transmission is entirely enclosed and protected against environmental influence with protection classification IP54
- cable drum, crank and all extruding shafts are made of Stainless Steel SAE grade 316
- all fasteners are made of Stainless Steel A4
- winch frame is made of steel, surfaces are brushed and edges are rounded
- paint thickness is 240 Micron in 3 layers (in compliance with DIN/ISO 12944, C5M)
- as option:
 - grooved drum
 - multiple compartment cable drum
 - suitable for winch power tool AM5000
 - ATEX certified  II 3 GD T4, suitable for zone 2 and 22

GEBUWIN
metal products

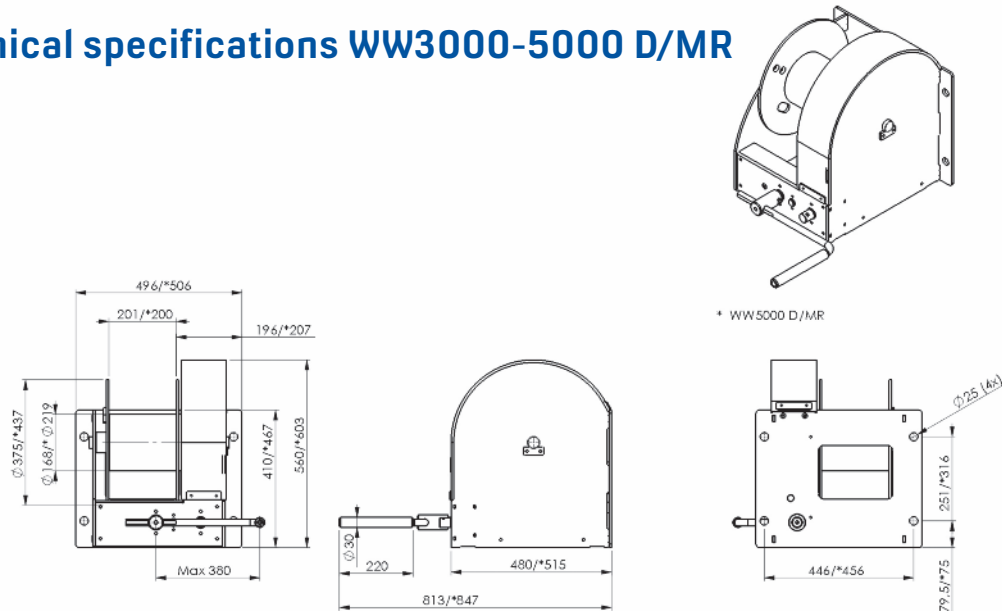


Industrieweg 6 7102 DZ Winterswijk The Netherlands
T +31 (0)543 532600 F +31 (0)543 532601
info@gebuwin.com www.gebuwin.com

Technical specifications WW1500 D/MR



Technical specifications WW3000-5000 D/MR



| Type | Mounting | Material | Remarks |
|-------------|------------------------|--------------------------|------------------|
| WW1500 D/MR | Wall, 4x M16 class 8.8 | Painted/ stainless steel | RAL 9005 (black) |
| WW3000 D/MR | Wall, 4x M20 class 8.8 | Painted/ stainless steel | RAL 9005 (black) |
| WW5000 D/MR | Wall, 4x M20 class 8.8 | Painted/ stainless steel | RAL 9005 (black) |

| Technical specifications | WW1500 | WW3000 | WW5000 |
|---|---------|-------------|-------------|
| Capacity: | | | |
| 1 st cable layer | 1500 kg | 3000 kg | 5000 kg |
| Last cable layer | 846 kg | 1667 kg | 3276 kg |
| Crankforce 1 st cable layer | 14 daN | 31 (14) daN | 73 (14) daN |
| Hoisting length by one rotation of the crank, 1 st layer | 9 mm | 11 (5) mm | 13 (3) mm |
| Max. cable storage per compartment | 41 m | 68 m | 43 m |
| Diameter cable (EN 12384-4) | 10 mm | 14 mm | 18 mm |
| Min. breaking force of cable | 51 kN | 102 kN | 168 kN |
| Own weight | 30 kg | 104 kg | 135 kg |