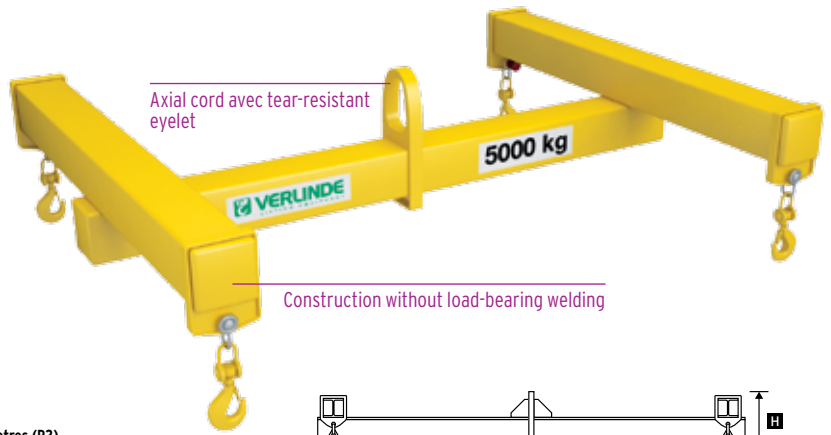




**PAL**®

Range of steel  
and aluminium lifting beams  
for loads from 125 to 10,000 kg

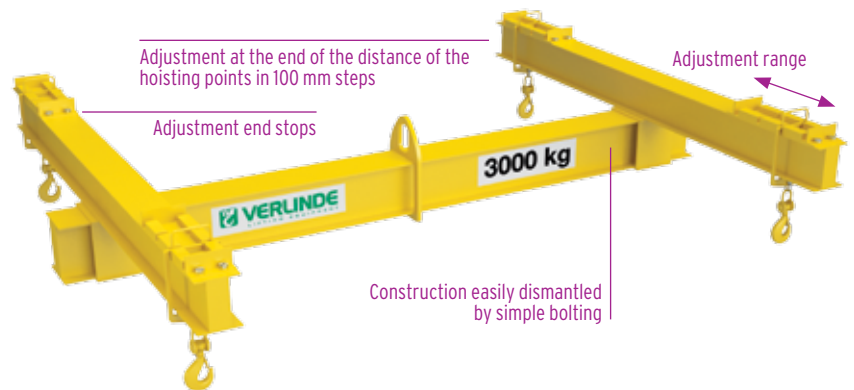
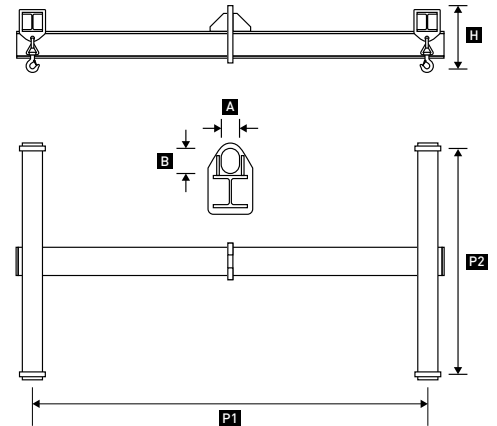
 **VERLINDE**  
LIFTING EQUIPMENT



## PAL P4HF

for loads from 1,000 to 10,000 kg  
 "H" type axial cord lifting beam  
 with **fixed** 4 lifting points

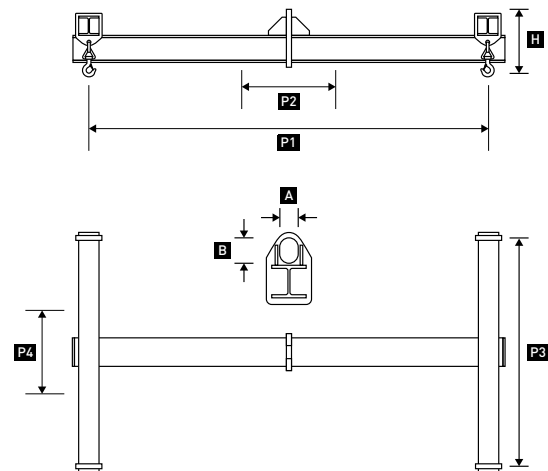
Load (T)	A x B (mm)	Span in metres (P1) / Base in metres (P2)						
		1 / 1	2 / 1	3 / 1	3 / 2	4 / 1	4 / 2	
1 T	60 x 80	Height "H" (mm)	240	240	240	240	240	240
		Weight (kg)	78	105	142	177	168	203
2 T	80 x 120	Height "H" (mm)	270	270	270	270	270	270
		Weight (kg)	85	118	161	211	216	266
3 T	100 x 180	Height "H" (mm)	350	350	350	350	350	350
		Weight (kg)	103	141	210	284	281	355
4 T	100 x 180	Height "H" (mm)	350	350	350	350	350	350
		Weight (kg)	117	167	245	311	329	395
5 T	100 x 180	Height "H" (mm)	390	390	390	390	390	390
		Weight (kg)	125	182	272	360	362	450
6 T	100 x 180	Hauteur "H" (mm)	390	390	390	390	390	390
		Weight (kg)	148	219	318	394	423	500
8 T	100 x 180	Height "H" (mm)	430	430	430	430	430	430
		Weight (kg)	163	246	358	457	501	600
10 T	100 x 180	Height "H" (mm)	430	430	430	430	430	430
		Weight (kg)	189	280	427	541	519	633



## PAL P4HR

for loads from 1,000 to 10,000 kg  
 "H" type Lifting beam a axial cord with  
 4 **adjustable** lifting points

Load (T)	A x B (mm)	Span in metres maxi/mini (P1/P2) / Base in metres maxi/mini (P3/P4)						
		1/0,5/0,5/0,5	2/1/1/0,5	3/1/1/0,5	3/1/2/1	4/2/1/0,5	4/2/2/1	
1 T	60 x 80	Height "H" (mm)	290	290	290	290	290	290
		Weight (kg)	98	125	162	197	188	223
2 T	80 x 120	Height "H" (mm)	320	320	320	320	320	320
		Weight (kg)	105	138	181	231	236	286
3 T	100 x 180	Height "H" (mm)	400	400	400	400	400	400
		Weight (kg)	123	161	230	304	301	375
4 T	100 x 180	Height "H" (mm)	400	400	400	400	400	400
		Weight (kg)	147	197	275	341	359	425
5 T	100 x 180	Height "H" (mm)	440	440	440	440	440	440
		Weight (kg)	155	212	302	390	392	480
6 T	100 x 180	Height "H" (mm)	440	440	440	440	440	440
		Weight (kg)	178	249	348	424	453	550
8 T	100 x 180	Height "H" (mm)	480	480	480	480	480	480
		Weight (kg)	193	276	388	487	531	630
10 T	100 x 180	Height "H" (mm)	480	480	480	480	480	480
		Weight (kg)	219	310	457	531	549	673



### Options available

- > Greater load capacities available on request.
- > 3 Type «Y» models with 3 lifting points, or type «X» with 4 lifting points are also available on request.
- > Lifting beams for big bag.

- > Special lifting beams.
- > Galvanised lifting beams.
- > Special lifting beams with pick-up fork for pallets.

## VERLINDE, is :

- > The leading French manufacturer and exporter of hoisting and handling equipment
- > A continuous range of 30 types of equipment capable of hoisting from 60 to 160,000 kg
- > ISO 9001 quality assurance certification.



## Our references

**Metallurgical, Mechanical, Nuclear industries** → Sollac - Unimetal - Stein - NFM - Framatome - Neyrpic

**Chemical and Petrochemical industries** → Rhône-Poulenc - Du Pont De Nemours - Elf - Total - Pechiney

**Aeronautics industry** → Aérospatiale - Airbus - Eurocopter - Air France - Aéroport de Paris - Snecma - Marcel Dassault

**Agri-food industry** → Nestlé - Gervais Danone - Bel

**Industrie automobile** → Renault - Peugeot - Citroën - Scania - Ford - RVI - Volkswagen - Michelin - Massey Ferguson - Manitou - Toyota Industrial Equipment

**Autres secteurs** → EDF - SNCF - RATP - Spie - Trindel - Lyonnaise des Eaux - Dumez - Fougerolle - GEC Alstom - Bouygues - Polysius



### In France :

A network of sales agencies, after-sales service stations, manufacturing units for EUROPONT overhead travelling cranes and a network of distributors.

### Rest of the world :

A contact person near you in more than 55 countries.



2, boulevard de l'Industrie - B.P. 20059 - 28509 Vernouillet cedex - France

Phone : (33) 02 37 38 95 95 - Fax : (33) 02 37 38 95 99

Internet : [www.verlinde.com](http://www.verlinde.com)