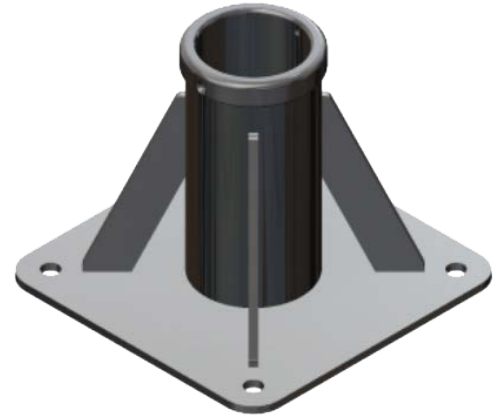




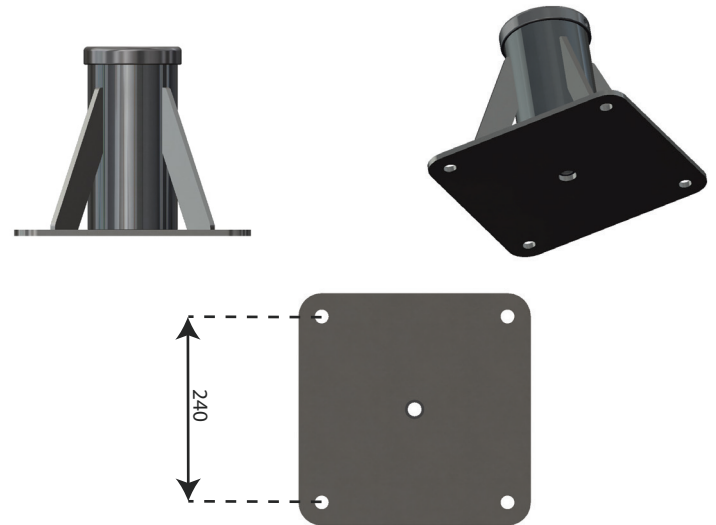
# Floor Socket

Our floor mount socket is designed to be used with our G.Davit anchor device. Supplied in galvanised steel as standard, with aluminium versions available on request.



## Technical Information:

- ✓ EN795 - TS16416 - 2006/42/EC
- ✓ Certified for lifting personnel and loads.
- ✓ Includes internal sleeve / liner.
- ✓ Uses M16 bolts (not included)
- ✓ Distance between bolt hole centres = 240mm.
- ✓ Pull out strength requirement for each bolt = 7,120Nm.



<b>Personnel SWL</b>	<b>200kg</b>
<b>Loads SWL</b>	<b>250kg</b>



DESIGN



MANUFACTURE



SUPPLY



TESTING



INSTALLATION



COMMISSION



INSPECTION