

Electric worm gear winches

125 – 3200 kg

Description of the winch

Industrial electrical pulling and lifting winch, robust but also safe. The winch is IP55 standardised and therefore resistant to splash water. And its thick housing with a high FEM value of at least 1 CM is a fine example of craftsmanship.

Product specifications

- > robust and safe electric lifting and pulling winch
- > maintenance free ball bearings
- > protection classification IP55, insulation class B
- > standard overload protection starting from 1000 kg
- > standard 1 meter pendant control switch
- > operation mode S3-40% - 120 c/h
- > paint thickness is 60 - 80 micron in 1 layer and in compliance with DIN/ISO 12944, C1M - RAL7035 (grey)



Options (code)

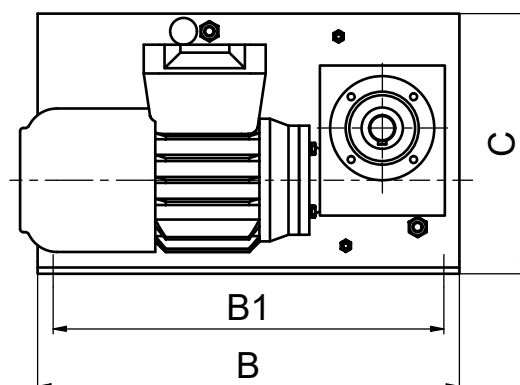
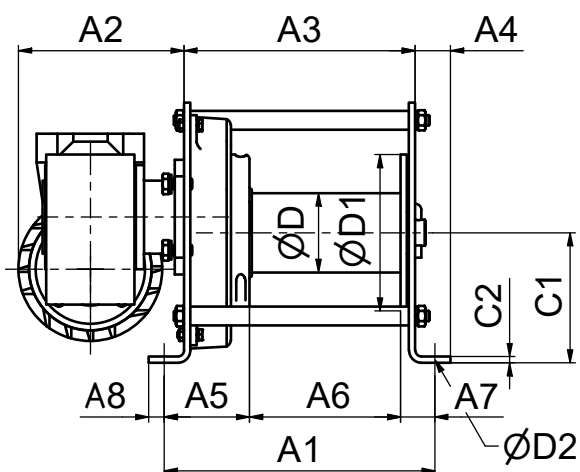
- available as electric lifting winch (limitswitch and low voltage control are required)
- increase of cable storage per 10 m
- grooved drum (GD)
- multiple cable drum compartments (XD)
- disengaging clutch (except for 125 kg model)
- wall mounted control switch
- low voltage control 42 V control
- double speed
- radio control (RC)
- frequency control
- protection classification up to IP66
- ATEX certified (EX)

Accessories

- steel or stainless steel wire rope
- pulley block



Technical specifications EW125-3200



Dimensions (mm)	A1	A2	A3	A4	A5	A6	A7	A8	B	B1	C	C1	C2	D	D1	D2
EW125	205	195/165	171	30	4	135	27	13	405	375	215	140	4	60	130	9
EW250	260	195/165	222	34	78	150	32	15	405	375	250	125	6	60	150	11
EW500	260	195/165	222	34	82	145	33	15	405	375	250	125	6	76	150	11
EW1000	345	240/216	289	45	99	198	48	17	575	535	270	155	10	108	180	13
EW2000	440	240/216	358	61	173	200	67	20	600	550	385	171	15	146	245	17
EW3200	525	198	443	61	193	257	75	20	600	550	405	191	15	216	370	17

Technical specifications	Unit	EW125	EW250	EW500	EW1000	EW2000	EW3200
Capacity 1st layer	kg	125	250	500	1000	2000	3200
Capacity top layer	kg	90	180	340	780	1560	2500
Lifting speed	m/min	7,8(15)	5(10)	2,5(5)	4,5(9)	4,5	4,5
Rope diameter-Ø	mm	4	4	6	8	11	16
Rope storage 1st layer	m	6,4(5)	7,1(5,6)	5,7(4,8)	8,4(6,8)	8(6,3)	9(8)
Rope storage top layer	m	32(30)	35(34)	30(29)	30(29)	30(28)	37(36)
Min. breaking load cable	kN	5	9	18	36	70	114
Motor output (230 V)	kW	0,37(0,75)	0,37(0,75)	0,37(0,75)	1,3(2,6)	2,6	-
Motor output (400 V)	kW	0,37(0,75)	0,37(0,75)	0,37(0,75)	1,3	2,6	3
Current (230 V)	A	4(5,2)	4(5,2)	4(5,2)	9,1	9,1	-
Current (400 V)	A	1,1(1,9)	1,1(1,9)	1,1(1,9)	3,2(6)	6	7
Weight (without rope)	kg	27	37	40	88	160	210

() = version with double cable speed