



PAL®

Range of steel
and aluminium lifting beams
for loads from 125 to 10,000 kg

 **VERLINDE**
LIFTING EQUIPMENT

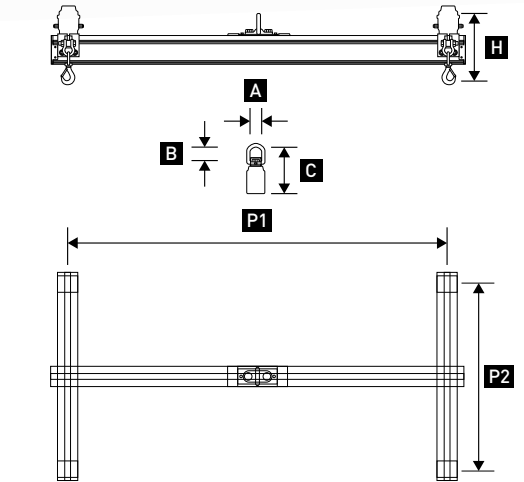
PAL P4HF ALU

for loads from 125 to 2000 kg
Aluminium axial cord lifting beam
with **fixed** 4 lifting points

Load (kg)		Total span in metres / Total base in metres					
		1/1	2/1	3/1	3/2	4/1	4/2
125	Maxi/mini length between hooks (P1/P2)	840/900	1840/900	2840/900	2840/1900	3840/900	3840/1900
	Weight (kg)	51	58	64	77	71	84
	Headroom (H)	310	310	310	310	310	310
	Dim. A x B x C	56x53x226	56x53x226	56x53x226	56x53x226	56x53x226	56x53x226
250	Maxi/mini length between hooks (P1/P2)	840/900	1840/900	2840/900	2840/1900	3840/900	3840/1900
	Weight (kg)	51	58	64	77	71	84
	Headroom (H)	310	310	310	310	310	310
	Dim. A x B x C	56x53x226	56x53x226	56x53x276	56x53x276	56x53x276	56x53x276
500	Maxi/mini length between hooks (P1/P2)	840/900	1840/900	2840/900	2840/1900	3840/900	3840/1900
	Weight (kg)	51	58	71	84	79	92
	Hauteur perdue (H)	310	310	310	310	310	310
	Dim. A x B x C	56x53x226	56x53x226	56x53x276	56x53x276	56x53x276	56x53x276
750	Maxi/mini length between hooks (P1/P2)	840/900	1840/900	2840/900	2840/1900	3840/900	3840/1900
	Weight (kg)	51	62	71	84	87	100
	Headroom (H)	310	310	310	310	310	310
	Dim. A x B x C	56x53x226	56x53x276	56x53x276	56x53x276	56x53x306	56x53x306
1000	Maxi/mini length between hooks (P1/P2)	840/900	1840/900	2840/900	2840/1900	3840/900	3840/1900
	Weight (kg)	55	66	77	90	103	116
	Headroom (H)	310	310	310	310	310	310
	Dim. A x B x C	56x53x306	56x53x306	56x53x306	56x53x306	56x53x341	56x53x341
1600	Maxi/mini length between hooks (P1/P2)	840/900	1840/900	2840/900	2840/1900	-	-
	Weight (kg)	55	66	88	101	-	-
	Hauteur perdue (H)	310	310	310	310	-	-
	Dim. A x B x C	56x53x306	56x53x306	56x53x341	56x53x341	-	-
2000	Maxi/mini length between hooks (P1/P2)	840/900	1840/900	-	-	-	-
	Weight (kg)	64	82	-	-	-	-
	Headroom (H)	310	310	-	-	-	-
	Dim. A x B x C	56x53x306	56x53x341	-	-	-	-

Axial cord avec tear-resistant eyelet

Construction without load-bearing welding



Adjustment at the end of the distance of the hoisting points in 100 mm steps

PAL P4HR ALU

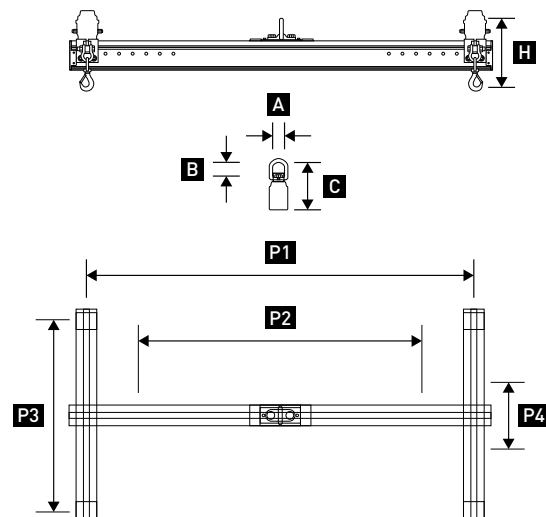
for loads from 125 to 2000 kg
Aluminium axial cord lifting beam
avec 4 lifting points **adjustable**

Load (kg)		Total span in metres / Total base in metres					
		1/1	2/1	3/1	3/2	4/1	4/2
125	Long. maxi/mini between hooks (P1/P2)	840/400	1840/940	2840/1440	2840/1440	3840/1940	3840/1940
	Maxi/mini width between hooks (P3/P4)	900/500	900/500	900/500	1900/900	900/500	1900/900
	Weight (kg)	51	58	64	77	71	84
	Headroom (H)	310	310	310	310	310	310
250	Long. maxi/mini between hooks (P1/P2)	840/400	1840/940	2840/1440	2840/1440	3840/1940	3840/1940
	Maxi/mini width between hooks (P3/P4)	900/500	900/500	900/500	1900/900	900/500	1900/900
	Weight (kg)	51	58	64	77	71	84
	Headroom (H)	310	310	310	310	310	310
500	Long. maxi/mini between hooks (P1/P2)	840/400	1840/940	2840/1440	2840/1440	3840/1940	3840/1940
	Maxi/mini width between hooks (P3/P4)	900/500	900/500	900/500	1900/900	900/500	1900/900
	Weight (kg)	51	58	71	84	79	92
	Headroom (H)	310	310	310	310	310	310
750	Long. maxi/mini between hooks (P1/P2)	840/400	1840/940	2840/1440	2840/1440	3840/1940	3840/1940
	Maxi/mini width between hooks (P3/P4)	900/500	900/500	900/500	1900/900	900/500	1900/900
	Weight (kg)	51	62	71	84	87	100
	Headroom (H)	310	310	310	310	310	310
1000	Long. maxi/mini between hooks (P1/P2)	840/400	1840/940	2840/1440	2840/1440	3840/1940	3840/1940
	Maxi/mini width between hooks (P3/P4)	900/500	900/500	900/500	1900/900	900/500	1900/900
	Weight (kg)	55	66	77	90	103	116
	Headroom (H)	310	310	310	310	310	310
1600	Long. maxi/mini between hooks (P1/P2)	840/440	1840/940	2840/1440	2840/1440	-	-
	Maxi/mini width between hooks (P3/P4)	900/500	900/500	900/500	1900/900	-	-
	Weight (kg)	55	66	88	101	-	-
	Headroom (H)	310	310	310	310	-	-
2000	Long. maxi/mini between hooks (P1/P2)	840/440	1840/940	-	-	-	-
	Maxi/mini width between hooks (P3/P4)	900/500	900/500	-	-	-	-
	Weight (kg)	64	82	-	-	-	-
	Headroom (H)	310	310	-	-	-	-

Adjustment end stops

Adjustment range

Construction easily dismantled by simple bolting



VERLINDE, is :

- > The leading French manufacturer and exporter of hoisting and handling equipment
- > A continuous range of 30 types of equipment capable of hoisting from 60 to 160,000 kg
- > ISO 9001 quality assurance certification.



Our references

Metallurgical, Mechanical, Nuclear industries → Sollac - Unimetal - Stein - NFM - Framatome - Neyrpic

Chemical and Petrochemical industries → Rhône-Poulenc - Du Pont De Nemours - Elf - Total - Pechiney

Aeronautics industry → Aérospatiale - Airbus - Eurocopter - Air France - Aéroport de Paris - Snecma - Marcel Dassault

Agri-food industry → Nestlé - Gervais Danone - Bel

Industrie automobile → Renault - Peugeot - Citroën - Scania - Ford - RVI - Volkswagen - Michelin - Massey Ferguson - Manitou - Toyota Industrial Equipment

Autres secteurs → EDF - SNCF - RATP - Spie - Trindel - Lyonnaise des Eaux - Dumez - Fougerolle - GEC Alstom - Bouygues - Polysius



In France :

A network of sales agencies, after-sales service stations, manufacturing units for EUROPONT overhead travelling cranes and a network of distributors.

Rest of the world :

A contact person near you in more than 55 countries.



2, boulevard de l'Industrie - B.P. 20059 - 28509 Vernouillet cedex - France

Phone : (33) 02 37 38 95 95 - Fax : (33) 02 37 38 95 99

Internet : www.verlinde.com