



**PAL**®

Range of steel  
and aluminium lifting beams  
for loads from 125 to 10,000 kg

 **VERLINDE**  
LIFTING EQUIPMENT

**Technical characteristics**

- > Fitted with swivel hooks with forged safety clips.
- > Tear-resistant eyelet for use with synthetic slings, cables, etc.
- > Anodised aluminium profile, rust-proof.
- > Safety coefficient : 4.
- > No load-bearing welding.
- > Manufacture in accordance with standard NFE 52210.
- > FEM5 group.

- > Hooks adjustable by movable spindles for adjustable beams only).
- > Adjustable by step of 100 mm for adjustable beams only).
- > Lifting speed: 16 m/mn maxi.
- > Delivered with instructions for use and maintenance, EC certificate of conformity

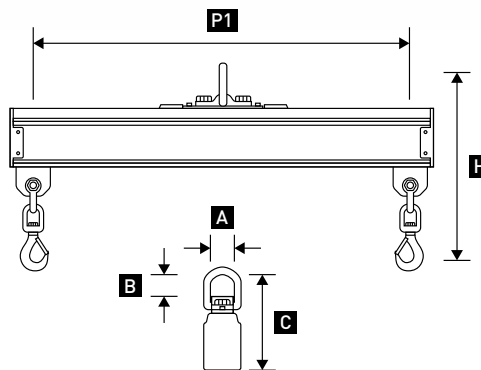
**Advantages in aluminium**

- > The aluminium profile is anodised and provides protection against corrosion
- > This aluminium profile is compatible with all the standardised ITEM accessories

- > Overall, the aluminium lifting beam is lighter than its steel equivalent, this makes it possible to optimise the chain hoist's capacity for lifting loads

**PAL P2F ALU** for loads from 125 to 2,000 kg  
Axial cord aluminium lifting beam with 2 fixed lifting points

Load (kg)	Total span in metres						
	1	2	3	4	5	6	
125	Length between hooks (P1)	900	1900	2900	3900	4900	5900
	Weight (kg)	16	22	29	35	42	48
	Headroom (H)	454	454	454	454	454	454
	Dim. A x B x C	56x53x226	56x53x226	56x53x226	56x53x226	56x53x226	56x53x226
250	Length between hooks (P1)	900	1900	2900	3900	4900	5900
	Weight (kg)	16	22	29	35	42	61
	Headroom (H)	454	454	454	454	454	504
	Dim. A x B x C	56x53x226	56x53x226	56x53x226	56x53x226	56x53x226	56x53x276
500	Length between hooks (P1)	900	1900	2900	3900	4900	5900
	Weight (kg)	16	22	36	44	53	74
	Hauteur perdue (H)	454	454	454	454	454	504
	Dim. A x B x C	56x53x226	56x53x226	56x53x276	56x53x276	56x53x276	56x53x306
750	Length between hooks (P1)	900	1900	2900	3900	4900	5900
	Weight (kg)	16	27	36	52	83	97
	Headroom (H)	454	454	504	504	504	535
	Dim. A x B x C	56x53x226	56x53x276	56x53x276	56x53x306	56x53x341	56x53x341
1000	Length between hooks (P1)	900	1900	2900	3900	4900	-
	Weight (kg)	21	31	42	68	83	-
	Headroom (H)	535	535	535	569	569	-
	Dim. A x B x C	56x53x306	56x53x306	56x53x306	56x53x341	56x53x341	-
1600	Length between hooks (P1)	900	1900	2900	-	-	-
	Weight (kg)	21	31	54	-	-	-
	Headroom (H)	535	535	569	-	-	-
	Dim. A x B x C	56x53x306	56x53x306	56x53x341	-	-	-
2000	Length between hooks (P1)	900	1900	-	-	-	-
	Weight (kg)	21	39	-	-	-	-
	Headroom (H)	535	569	-	-	-	-
	Dim. A x B x C	56x53x306	56x53x341	-	-	-	-

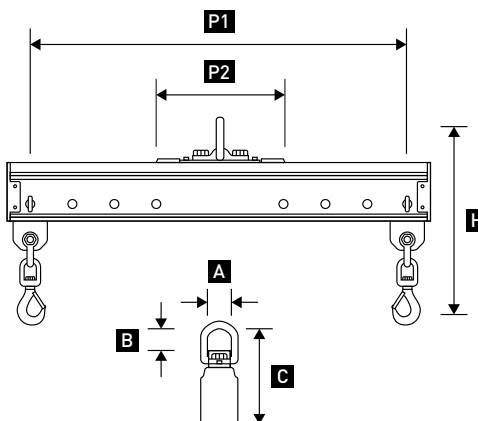


**PAL P2R ALU** for loads from 125 to 2,000 kg  
Aluminium axial cord lifting beam with 2 adjustable lifting points

Load (kg)	Total span in metres						
	1	2	3	4	5	6	
125	Length and width between hooks (P1/P2)	900/300	1900/900	2900/900	3900/1900	4900/2900	5900/3900
	Weight (kg)	16	22	29	35	42	48
	Headroom (H)	454	454	454	454	454	454
	Dim. A x B x C	56x53x226	56x53x226	56x53x226	56x53x226	56x53x226	56x53x226
250	Length and width between hooks (P1/P2)	900/300	1900/900	2900/900	3900/1900	4900/2900	5900/3900
	Weight (kg)	16	22	29	35	42	61
	Headroom (H)	454	454	454	454	454	504
	Dim. A x B x C	56x53x226	56x53x226	56x53x226	56x53x226	56x53x226	56x53x276
500	Length and width between hooks (P1/P2)	900/300	1900/900	2900/900	3900/1900	4900/2900	5900/3900
	Weight (kg)	16	22	36	44	53	74
	Headroom (H)	454	454	454	454	454	504
	Dim. A x B x C	56x53x226	56x53x226	56x53x276	56x53x276	56x53x276	56x53x306
750	Length and width between hooks (P1/P2)	900/300	1900/900	2900/900	3900/1900	4900/2900	5900/3900
	Weight (kg)	16	27	36	52	83	97
	Hauteur perdue (H)	454	454	504	504	504	535
	Dim. A x B x C	56x53x226	56x53x276	56x53x276	56x53x306	56x53x341	56x53x341
1000	Length and width between hooks (P1/P2)	900/300	1900/900	2900/900	3900/1900	4900/2900	-
	Weight (kg)	21	31	42	68	83	-
	Headroom (H)	535	535	535	569	569	-
	Dim. A x B x C	56x53x306	56x53x306	56x53x306	56x53x341	56x53x341	-
1600	Length and width between hooks (P1/P2)	900/300	1900/900	2900/900	-	-	-
	Weight (kg)	21	31	54	-	-	-
	Headroom (H)	535	535	569	-	-	-
	Dim. A x B x C	56x53x306	56x53x306	56x53x341	-	-	-
2000	Length and width between hooks (P1/P2)	900/300	1900/900	-	-	-	-
	Weight (kg)	21	39	-	-	-	-
	Headroom (H)	535	569	-	-	-	-
	Dim. A x B x C	56x53x306	56x53x341	-	-	-	-



Adjustment at the end of the distance of the hoisting points in 100 mm steps



## VERLINDE, is :

- > The leading French manufacturer and exporter of hoisting and handling equipment
- > A continuous range of 30 types of equipment capable of hoisting from 60 to 160,000 kg
- > ISO 9001 quality assurance certification.



## Our references

**Metallurgical, Mechanical, Nuclear industries** → Sollac - Unimetal - Stein - NFM - Framatome - Neyrpc

**Chemical and Petrochemical industries** → Rhône-Poulenc - Du Pont De Nemours - Elf - Total - Pechiney

**Aeronautics industry** → Aérospatiale - Airbus - Eurocopter - Air France - Aéroport de Paris - Snecma - Marcel Dassault

**Agri-food industry** → Nestlé - Gervais Danone - Bel

**Industrie automobile** → Renault - Peugeot - Citroën - Scania - Ford - RVI - Volkswagen - Michelin - Massey Ferguson - Manitou - Toyota Industrial Equipment

**Autres secteurs** → EDF - SNCF - RATP - Spie - Trindel - Lyonnaise des Eaux - Dumez - Fougerolle - GEC Alstom - Bouygues - Polysius



### In France :

A network of sales agencies, after-sales service stations, manufacturing units for EUROPONT overhead travelling cranes and a network of distributors.

### Rest of the world :

A contact person near you in more than 55 countries.



2, boulevard de l'Industrie - B.P. 20059 - 28509 Vernouillet cedex - France

Phone : (33) 02 37 38 95 95 - Fax : (33) 02 37 38 95 99

Internet : [www.verlinde.com](http://www.verlinde.com)