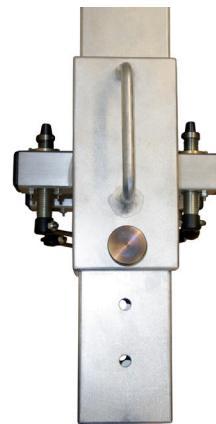
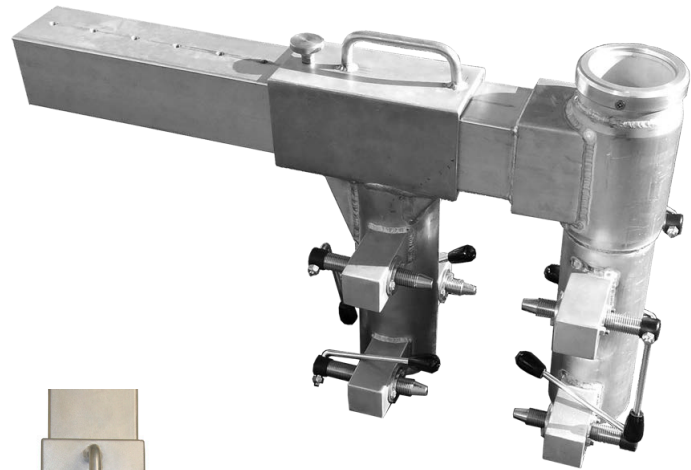




Adjustable Clamp Socket

The adjustable clamp socket designed to be used with the G.Davit anchor device. The davit base is designed to be situated over stable vertical structures such as trench pilings.



Technical Features:

- ✓ EN795 - TS16415 - 2006/42/EC
- ✓ Manufactured in aluminium
- ✓ Certified for lifting personnel 200kg
- ✓ Certified for lifting loads (250kg)
- ✓ Weight - approx 24kg
- ✓ The supporting structure must be strong enough to support a bending moment of 8,400Nm.

Size	Code
Up to 325mm wall	GSE200ACS325
Up to 505mm wall	GSE200ACS505
Up to 745mm wall	GSE200ACS745

*Wall thickness



DESIGN



MANUFACTURE



SUPPLY



TESTING



INSTALLATION



COMMISSION



INSPECTION