

ART ARTICULATED TROLLEYS

THE IDEAL SOLUTION FOR CONSTRUCTION OF MANUAL UNDERSLUNG ROLLING BEAM CRANES

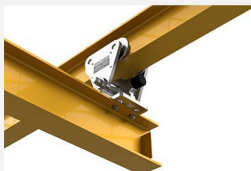
The ART manual articulated trolleys offer an economical solution for moving loads of 250 to 2,000 kg and is suitable for the majority of British and European steel I-beams.



STANDARD FEATURES

- ✓ SWL range of 250 to 2,000 kg.
- ✓ Suitable for spans of 2-8 m.
- ✓ Trolley range to suit 50-300 mm beam widths.
- ✓ Tie bar for adjustment of flange width.
- ✓ Articulated bracket for connection to bridge beam.
- ✓ Supplied with assembly documentation.

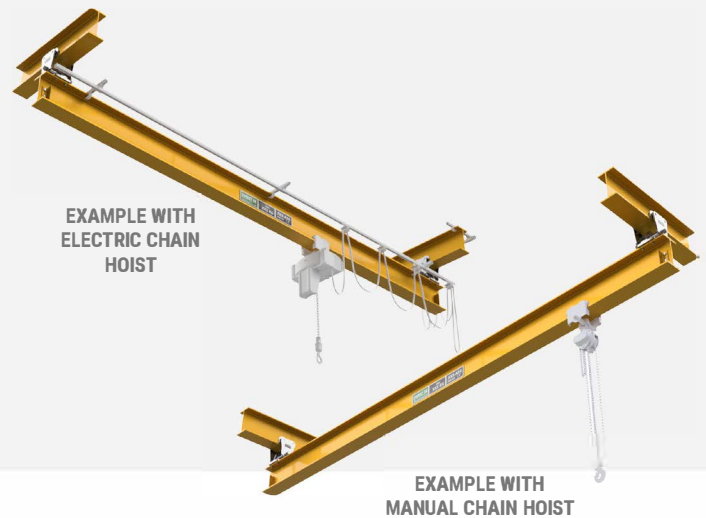
The ART design features only 2 different trolley sizes to cover the whole capacity range.



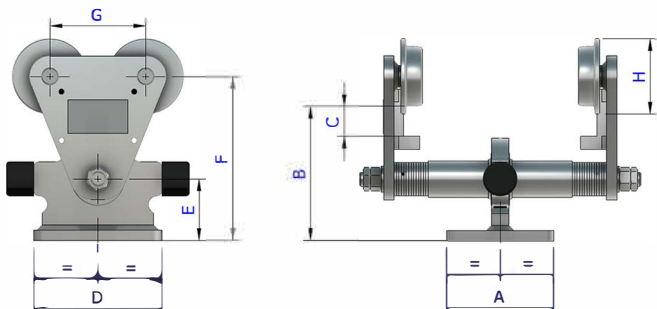
ART10
250 TO 1,000 KG



ART20
1,000 TO 2,000 KG



DIMENSIONS



	A	B	C	D	E	F	G	H
ART10	125	157	35	150	72	192	112	88
ART20	150	190	35	175	85	225	112	88

All dimensions are in mm.

